

The GigaTech Products **GT-PNL1U-3S** provides a rugged 1U rack mount solution for high density fiber termination. Constructed from 1.5mm cold-rolled carbon steel, it features 3 pass-through ports for the easy installation of FHD fiber adapter plates and cassettes. As with all GigaTech products, these panels are tested for quality and reliability and are covered by our standard Lifetime Warranty.



### Features:

- 1U Rack Mountable
- Modular design
- Up to 3 FHD Plates/Cassettes
- Tool-less adapter removal
- Mounts to standard 19" EIA Rack

### Compliance:

- RoHS Compliant
- ISO9001
- TIA/EIA-568-C.3

### Applications:

- FHD Plates & Cassettes

### Warranty:

GigaTech Lifetime Warranty

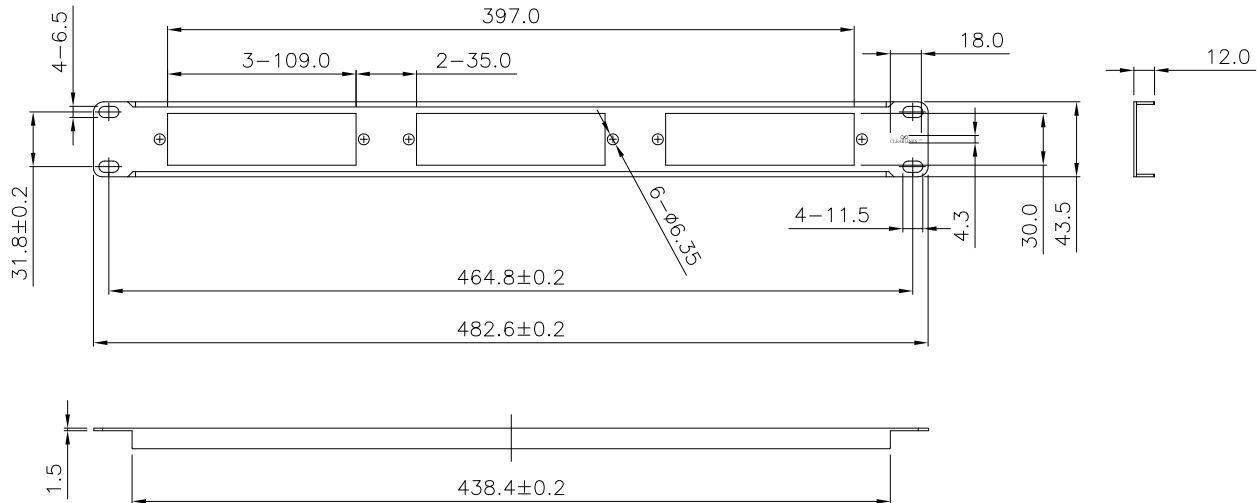
### Front



### Back



**Product Diagram:**



**Specifications:**

Panel Material: SPCC, 1.5mm thickness, Black Color  
 Dimensions: 0.47" x 1.71" x 19.14" (12.0 x 43.5 x 486.2mm)  
 Weight: 0.25kg  
 Finish: Painted, Black (RAL9005)