

The GigaTech Products **GT-ENC4U-12S** provides a rugged 4U rack mount solution for high density fiber termination. Constructed from 1.5mm cold-rolled carbon steel, it features 12 pass-through ports for the easy installation of FHD fiber adapter plates and cassettes. As with all GigaTech products, these enclosures are tested for quality and reliability and are covered by our standard Lifetime Warranty.



### Features:

- 4U Rack Mountable
- Modular design
- Up to 12 FHD Plates/Cassettes/Splice Trays
- Dual window Hinged Door for Visibility
- Tool-less Adapter Removal
- Mounts to standard 19" EIA Rack

### Compliance:

- RoHS Compliant
- ISO9001
- TIA/EIA-568-C.3

### Applications:

- FHD Plates, Cassettes, and Splice Trays

### Warranty:

GigaTech Products Lifetime Warranty

### Front Open



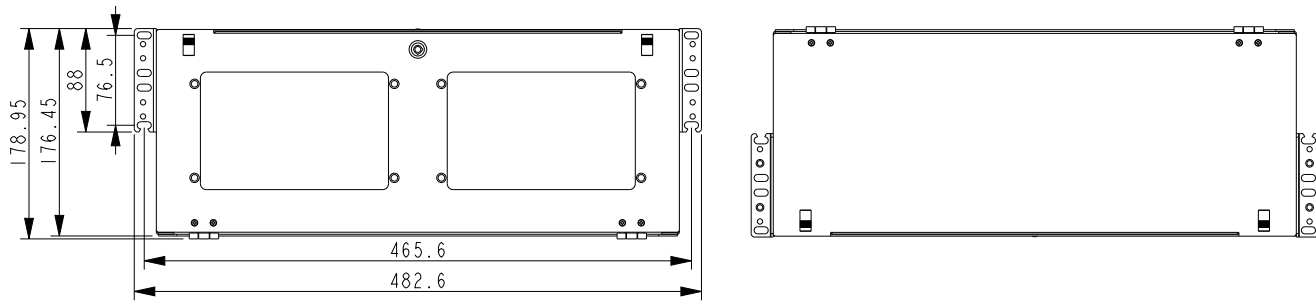
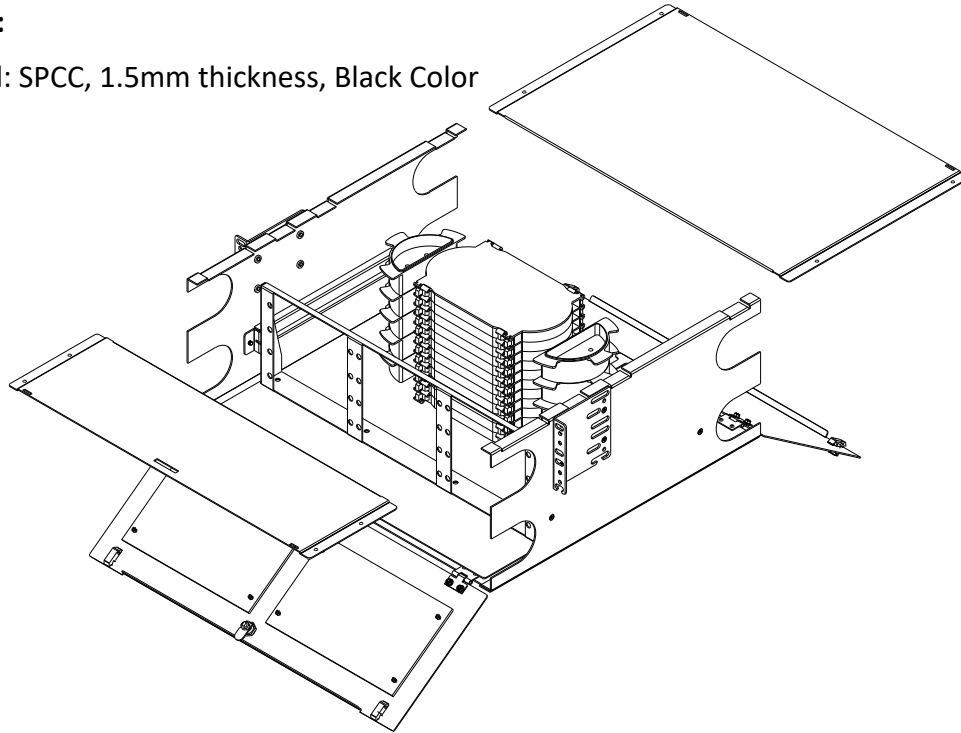
### Back



**Product Diagram:**

**Specifications:**

Panel Material: SPCC, 1.5mm thickness, Black Color



5

