

The GigaTech Products **GT-CAS-MPM-LC12-AFMM** fiber cassette adapter provides a versatile solution for high density fiber termination. Compact and durable, these fiber cassette modules feature MTP® to factory-terminated fiber connections that offer plug-in simplicity. Ruggedly engineered with breakout assemblies inside an aluminum housing, our fiber cassette modules provide no-splice, high-density fiber termination in patch panels and enclosures for easier deployment and expansion. All fiber cassette adaptors are covered by our standard Lifetime Warranty.



**Features:**

- 6x LC Duplex Connectors
- Tool-less installation & removal
- Compatible with all LGX panels & enclosures
- Standard TIA/EIA-568.3-D color code

**Compliance:**

- RoHS Compliant
- ISO9001
- TIA/EIA-568-C.3

**Applications:**

- FHD Enclosures

**Warranty:** GigaTech Products Lifetime Warranty

**Specifications:**

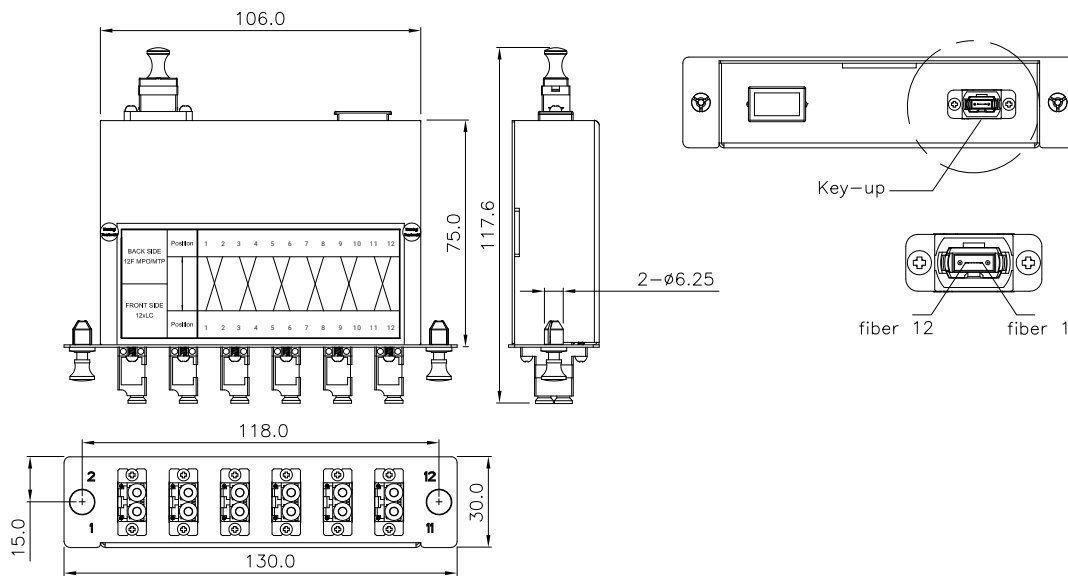
<b>Adapter Type</b>	LC Duplex	<b>Fiber Mode</b>	OM4 50/125µm
<b>LC Ports</b>	6	<b>MTP Ports</b>	1
<b>Fiber Count</b>	Up to 12	<b>Material</b>	SPCC Steel
<b>Insertion Loss</b>	<0.75dB	<b>Polarity</b>	Method A Flipped
<b>Dimensions</b>	129.8 x 31.6 x 33mm	<b>Application</b>	FHD Enclosures

## Product Diagram:

### Specifications:

Panel Material: SPCC, 1.5mm thickness  
 Dimensions: 1.18" x 5.12" x 2.95" (30.0 x 130 x 75mm)  
 Weight: 0.23kg  
 Finish: Painted, Black (RAL9005)

Accessory: 2 pcs, Snap Rivet, Male Nylon/Female PC  
 Adaptor: 6x LC Duplex



### Method A Flipped

LC	Pair Flip	MTP
1	↔	1
2	↔	2
3	↔	3
4	↔	4
5	↔	5
6	↔	6
7	↔	7
8	↔	8
9	↔	9
10	↔	10
11	↔	11
12	↔	12

LC Fiber Number	Jacket Color	Fiber Position	MTP Fiber Number
Fiber 1	Orange	B	Fiber 2
Fiber 2	Blue	A	Fiber 1
Fiber 3	Brown	B	Fiber 4
Fiber 4	Green	A	Fiber 3
Fiber 5	White	B	Fiber 6
Fiber 6	Gray	A	Fiber 5
Fiber 7	Black	B	Fiber 8
Fiber 8	Red	A	Fiber 7
Fiber 9	Purple	B	Fiber 10
Fiber 10	Yellow	A	Fiber 9
Fiber 11	Aqua	B	Fiber 12
Fiber 12	Pink	A	Fiber 11