

The GigaTech Products **GT-CAS-MPM-LC12-ASM** fiber cassette adapter provides a versatile solution for high density fiber termination. Compact and durable, these fiber cassette modules feature MTP® to factory-terminated fiber connections that offer plug-in simplicity. Ruggedly engineered with breakout assemblies inside an aluminum housing, our fiber cassette modules provide no-splice, high-density fiber termination in patch panels and enclosures for easier deployment and expansion. All fiber cassette adaptors are covered by our standard Lifetime Warranty.



Features:

- 6x LC Duplex Connectors
- Tool-less installation & removal
- Compatible with all LGX panels & enclosures
- Standard TIA/EIA-568.3-D color code

Compliance:

- RoHS Compliant
- ISO9001
- TIA/EIA-568-C.3

Applications:

- FHD Enclosures

Warranty: GigaTech Products Lifetime Warranty

Specifications:

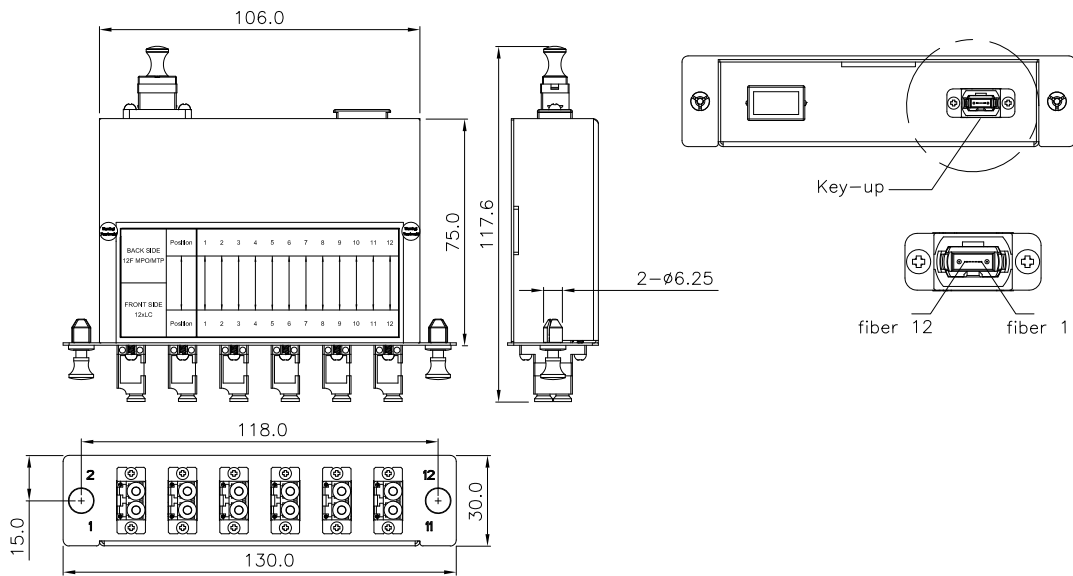
Adapter Type	LC-APC Duplex	Fiber Mode	OS2 9/125µm
LC Ports	6	MTP Ports	1
Fiber Count	Up to 12	Material	SPCC Steel
Insertion Loss	<0.75dB	Polarity	Method A
Dimensions	129.8 x 31.6 x 33mm	Application	FHD Enclosures

Product Diagram:

Specifications:

Panel Material: SPCC, 1.5mm thickness
 Dimensions: 1.18" x 5.12" x 2.95" (30.0 x 130 x 75mm)
 Weight: 0.23kg
 Finish: Painted, Black (RAL9005)

Accessory: 2 pcs, Snap Rivet, Male Nylon/Female PC
 Adaptor: 6x LC Duplex



Method A

LC	Straight Version	MTP
1	←→	1
2	←→	2
3	←→	3
4	←→	4
5	←→	5
6	←→	6
7	←→	7
8	←→	8
9	←→	9
10	←→	10
11	←→	11
12	←→	12

LC Fiber Number	Jacket Color	Fiber Position	MTP Fiber Number
Fiber 1	Blue	B	Fiber 1
Fiber 2	Orange	A	Fiber 2
Fiber 3	Green	B	Fiber 3
Fiber 4	Brown	A	Fiber 4
Fiber 5	Gray	B	Fiber 5
Fiber 6	White	A	Fiber 6
Fiber 7	Red	B	Fiber 7
Fiber 8	Black	A	Fiber 8
Fiber 9	Yellow	B	Fiber 9
Fiber 10	Purple	A	Fiber 10
Fiber 11	Pink	B	Fiber 11
Fiber 12	Aqua	A	Fiber 12