

GT-MPA4LCDS2Y2-xM

MTP-APC Female to 4xLC Duplex Singlemode OS2 9/125, 24 Inch 2.0mm Breakout, Plenum Cable Yellow- xM



The GigaTech Products **GT-MP4LCDS2Y2-xM** fiber optic patch cord is ideal for short distance patching applications. These fiber optic cables have been built to exceed industry standards and are tested for insertion loss and reflectance on all connectors. They are constructed using Corning glass within UL certified OFNP (Plenum) rated jacket with Kevlar yarn, and are factory terminated resulting in uncompromised performance.

Performance:

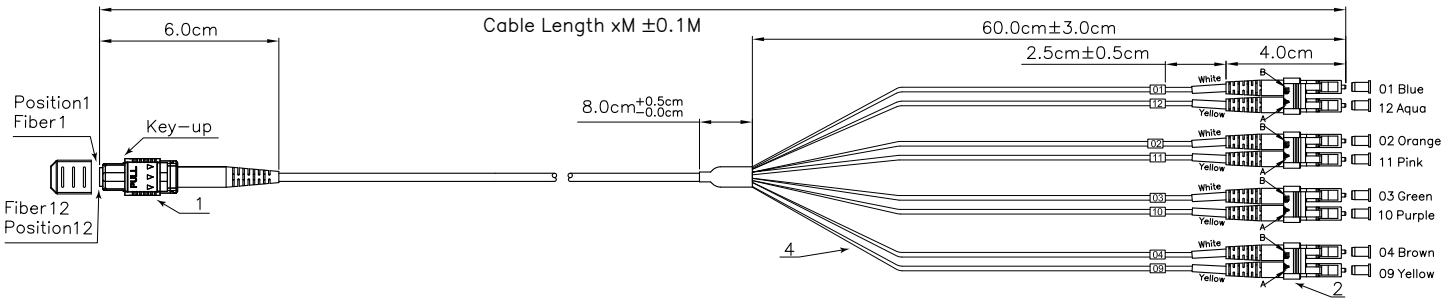
- MTP Insertion Loss (max.): <0.35dB
- MTP Optical Return Loss: >60dB
- LC Insertion Loss (max.): <0.15dB
- LC Optical Return Loss: >55dB
- Storage Temperature: -40°C +80°C
- Operation Temperature: -20°C +70°C
- Attenuation dB/km max.: 1.0

Fiber:

- Core Diameter: 9µm
- Cladding Diameter: 125µm
- Inner Strength Material: Kevlar
- Connector Type (1): MTP/F-APC
- Connector Style(1): Single
- Connector Type (2): 4x LC-APC
- Connector Style (2): Duplex

Jacket:

- Jacket Size: 3mm
- Jacket Style: Multifiber PVC
- Jacket Color: Yellow
- Fire Rating: OFNP (Plenum)



1	Mode	Ferrule	Housing	Boot	Cap		
	SM	12 Fiber SM Low Loss	Yellow(PBT)	Black(TPV)	Black(TPV)		
2	Mode	Ferrule	Housing	Clip	Boot	Tube	Cap
	SM	Zirconia(Ø1.25mm)	Blue	Blue	White	White/Yellow(PVC)	White(PE)
3	Category	Jacket O.D.	Tubing O.D.	Jacket Material	Color		
	G.657A1(9/125um)	Ø3mm	Ø2mm	PVC OFNP	Yellow		